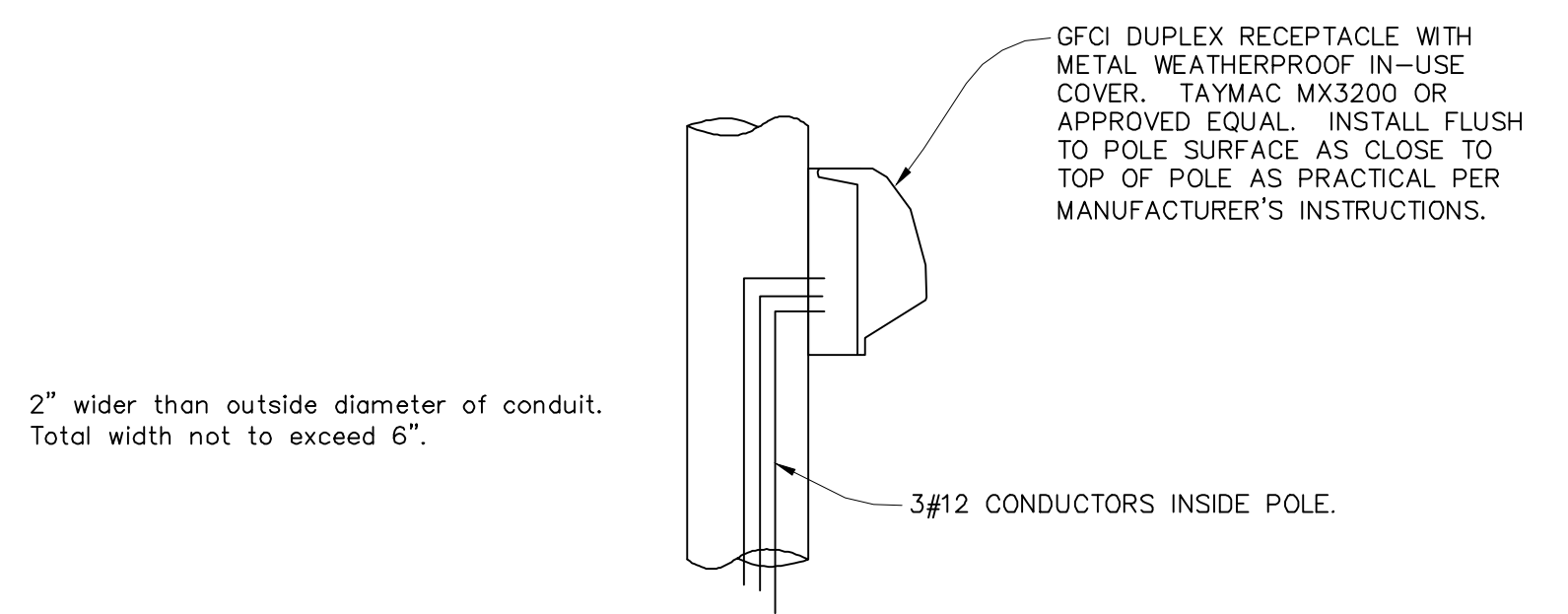
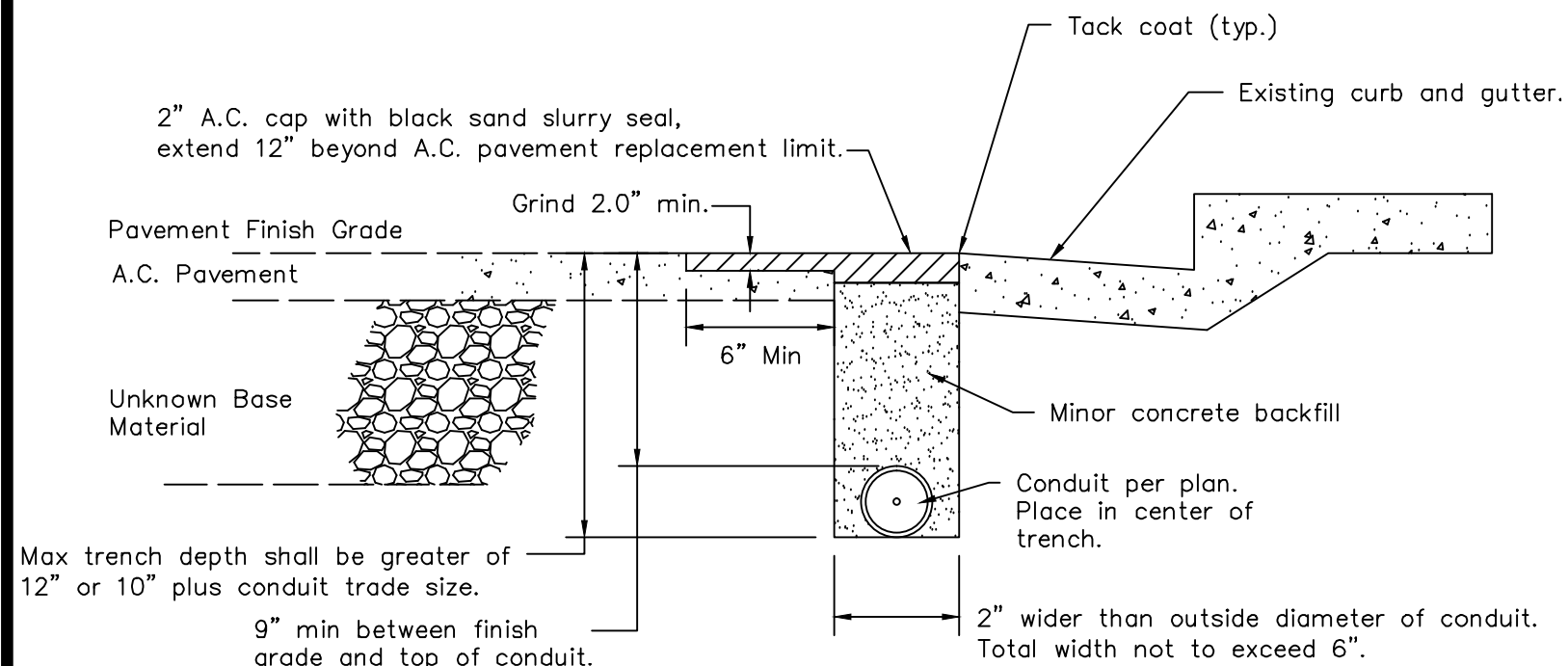


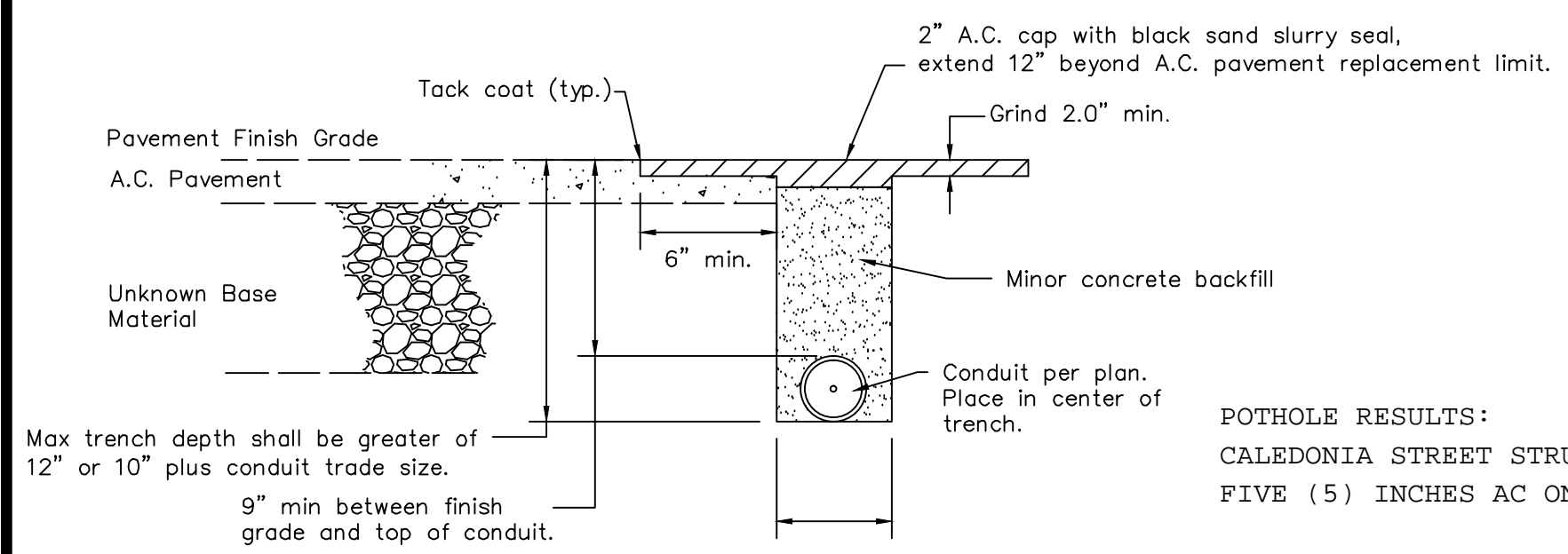
		CONDUCTOR SCHEDULE																					
WIRE GAUGE	PURPOSE	1	2	3	4	5	6	7	8	9	10	11	12	13	14	15	16	17	18	19	20	21	22
#2 AWG	GFCI G	0	2	2	2	2	2	2	0	0	0	0	0	0	0	0	0	0	0	0	0	0	0
	GFCI H	0	2	2	2	0	0	0	0	0	0	0	0	0	0	0	0	0	0	0	0	0	0
	SERVICE	3	0	0	0	0	0	0	0	0	0	0	0	0	0	0	0	0	0	0	0	0	0
TOTAL #2 AWG		3	4	4	4	2	2	2	0	0	0	0	0	0	0	0	0	0	0	0	0	0	0
#4 AWG	GFCI G	0	0	0	0	0	0	0	2	2	2	2	2	2	2	0	0	0	0	0	0	0	0
	GFCI H	0	0	0	0	2	2	2	2	2	2	2	2	2	0	0	0	0	0	0	0	0	0
	TOTAL #4 AWG	0	0	0	0	2	2	2	2	4	4	4	4	4	2	2	0	0	0	0	0	0	0
#8 AWG	SLA	0	1	1	1	1	1	1	0	0	0	0	0	0	0	0	0	0	0	0	0	0	0
	SLC	0	1	1	1	1	1	1	0	0	0	0	0	0	0	0	0	0	0	0	0	0	0
	GFCI I	0	0	0	0	0	0	0	0	0	0	0	0	0	0	0	2	2	2	2	2	2	2
#10 AWG	SLA	0	0	0	0	0	0	0	0	0	0	0	0	0	0	0	0	0	0	0	0	0	0
	SLB	0	1	1	1	1	1	1	1	1	1	1	1	1	1	0	0	0	0	0	0	0	0
	SLC	0	0	0	0	0	0	0	0	1	1	1	1	1	1	0	0	0	0	0	0	0	0
#8 GND	SLD	0	1	1	1	1	1	1	1	1	1	1	1	0	0	0	0	0	0	0	0	0	0
	SLE	0	0	0	0	0	0	0	0	0	0	0	0	0	0	0	1	1	1	1	1	1	1
	SLE	0	0	0	0	0	0	0	0	0	0	0	0	0	0	0	0	1	1	1	1	1	1
CONDUIT	CONDUIT SIZE	2"	2"	1-1/2"	1-1/2"	1-1/2"	1-1/2"	1-1/2"	1-1/2"	1-1/2"	1-1/2"	1-1/2"	1-1/2"	1-1/2"	1-1/2"	1-1/2"	1-1/2"	1-1/2"	1-1/2"	1-1/2"	1-1/2"	1-1/2"	
	CONDUIT FILL	14.9%	28.3%	34.8%	34.8%	26.3%	26.3%	29.3%	28.6%	28.6%	28.6%	28.6%	27.1%	19.7%	16.7%	7.5%	7.5%	7.5%	7.5%	7.5%	7.5%	6.0%	
	LENGTH	55	230	110	55	115	120	60	150	90	60	110	120	65	145	95	35	110	105	105	110	110	110



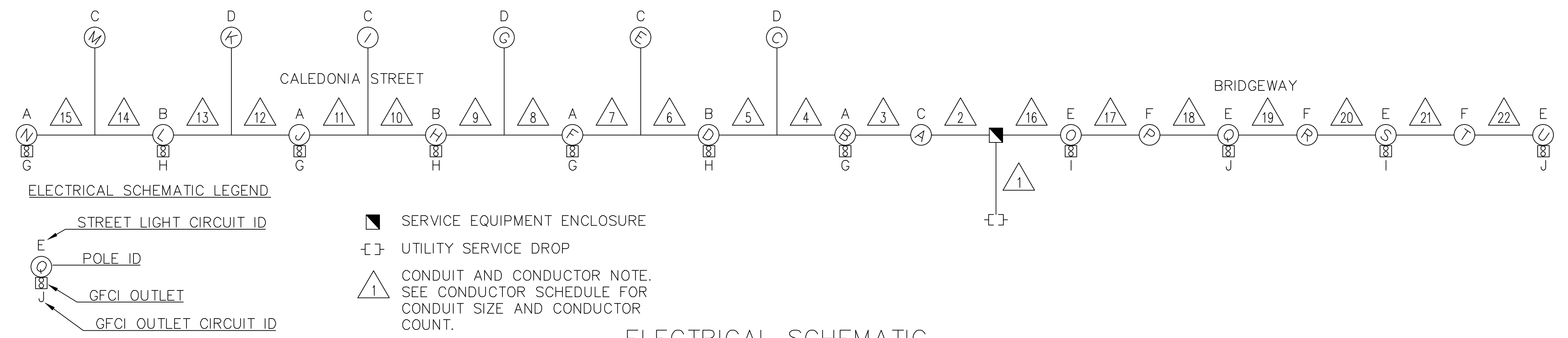
WEATHERPROOF RECEPTACLE ON STREET LIGHT POLE  
NO SCALE



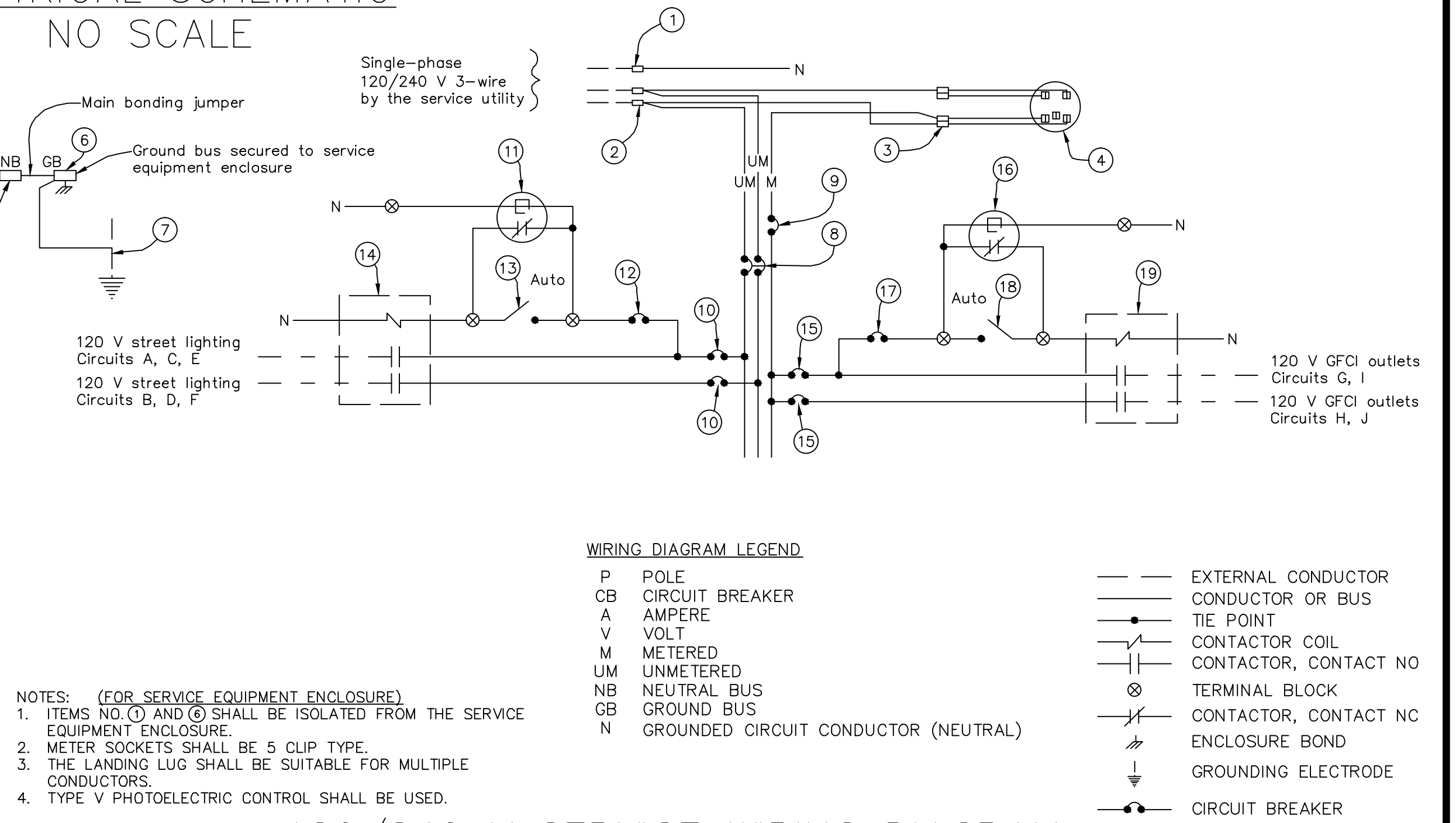
TRENCH AT LIP OF GUTTER  
NO SCALE



TRENCH IN ROADWAY  
NO SCALE



TYPE III-A SERVICE (120/240V) EQUIPMENT LEGEND		
ITEM NO.	COMPONENT	NAME PLATE DESCRIPTION
(1)	NEUTRAL LUG	
(2)	LANDING LUG (NOTE 6)	
(3)	TEST BYPASS FACILITY	
(4)	METER SOCKET AND SUPPORT	
(5)	NEUTRAL BUS	
(6)	GROUND BUS	
(7)	GROUNDING ELECTRODE	
(8)	100 A, 240 V, 2P, CB	MAIN UNMETERED BREAKER
(9)	50 A, 120 V, 1P, CB	MAIN METERED BREAKER
(10)	25 A, 120 V, 1P, CB	STREET LIGHTING
(11)	PHOTOELECTRIC UNIT	
(12)	25 A, 120 V, 1P, CB	STREET LIGHTING CONTROL
(13)	25 A, 1P, TEST SWITCH	STREET LIGHTING TEST SWITCH
(14)	50 A, 2PNO CONTACTOR	STREET LIGHTING
(15)	20 A, 120 V, 1P, CB	DECORATIVE LIGHTING
(16)	PHOTOELECTRIC UNIT	
(17)	20 A, 120 V, 1P, CB	DECORATIVE LIGHTING CONTROL
(18)	20 A, 1P, TEST SWITCH	DECORATIVE LIGHTING TEST SWITCH
(19)	40 A, 2PNO CONTACTOR	DECORATIVE LIGHTING



120/240 V SERVICE WIRING DIAGRAM

CITY OF SAUSALITO  
DEPARTMENT of PUBLIC WORKS

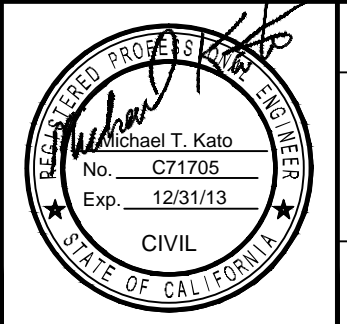
SIEMENS  
Road and City Mobility  
3765 Yale Way  
Fremont, CA 94538  
Tel: +1 (510) 440-8127

REV	DESCRIPTION OF REVISION	BY	DATE
ONE	TRENCH/ADD UTILITIES	MTK	7/10/13
TWO	PROJECT SCOPE REVISION	MTK	5/25/13

BRIDGWAY AND CALEDONIA STREET SERIES CIRCUIT CONVERSION

ELECTRICAL  
SCHEDULES AND DETAILS

WARNING  
0 1/2 1  
IF THIS BAR DOES NOT MEASURE 1" THEN DRAWING IS NOT TO SCALE



DESIGN_MTK	SCALE 1" = 20'	DATE 7/10/13	SHEET 6
DRAWN_MTK			
CHECKED_SMF	APPROVED		REVISION